

HDMI Receiver:

- LCD-Display,
- HDTV,
- Projector

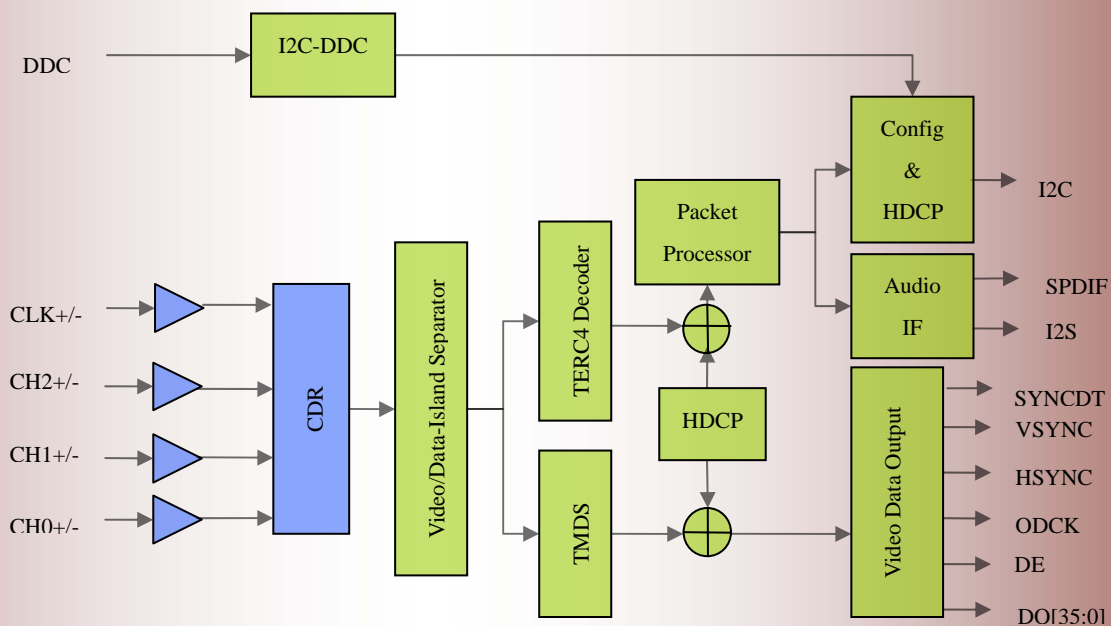
NANO SILICON

A key analogue and mixed signal IP Provider



Features:

- Compliant with HDMI 1.3 specification
- Support high-definition video with scalable bandwidth: 25 - 165 Mega-pixels/ sec
- Support deep color up to 36 bits (TMDS Clock up to 250MHz)
- Selectable audio interface (S/SPDIF or I2S) for digital audio output
- Capable of receiving InfoFrame including AVI, SPD, Audio, MPEG InfoFrames and new packets added in HDMI 1.3 Specification.
- Support Enhanced DDC channel for HDCP port
- Integrated High-bandwidth Content Protection (HDCP1.1)
- Four I2S Audio Output
- One SPDIF Audio Output - Optional
- Integrated Audio Clock Regeneration
- 24-bit, 30-bit or 36-bit RGB Digital Video Output with selectable edge clocking
- Power-down modes
- Link On Detection
- Compatible with DVI 1.0 compliant sources



AUSTRALIA:

Brisbane Technology Park
Cnr Logan & Miles Platting Roads
Eight Mile Plains QLD 4113
Tel: +61 7 3364 0656
Http:www.nanosi.com

CHINA:

Room 407 National IC Design Park
NO.21-1 Changjiang Road
Wuxi, Jiangsu, China
Tel: +886 510 85259325
Http:www.nanosi.com