

LVDS - Transmitter

- LCD-Display,
- HDTV,
- Projector

NANO SILICON

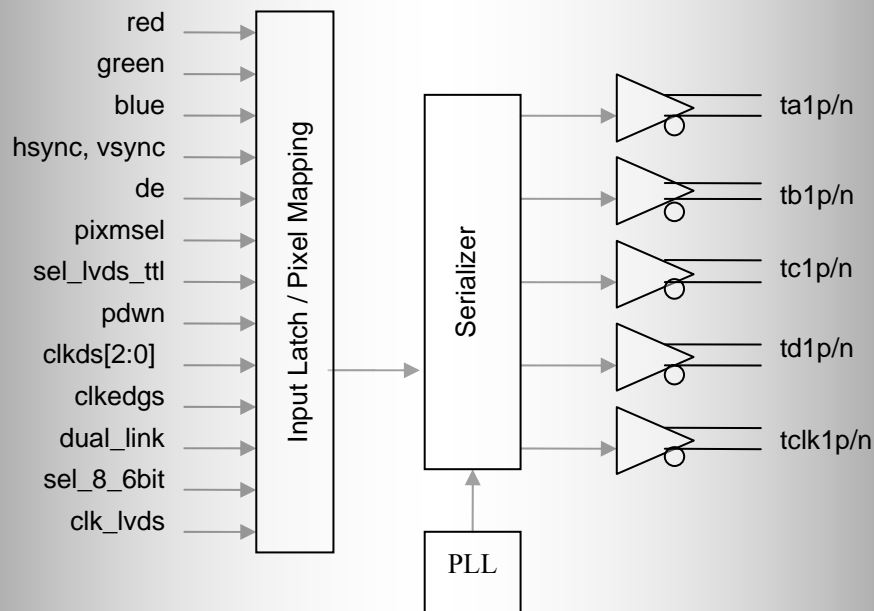
A key analogue and mixed signal IP Provider



LVDS - Transmitter

Features

- Input dot clock range: 25MHz ~ 135MHz suited for VGA, SVGA, XGA, SXGA, SXGA+ and UXGA
- PLL requires no external components
- 6/8 bit color and clocking dge selectable
- Supports SSCG modulated clock input for EMI reduction
- Supports both normal and reduced swing LVDS for low EMI
- Support Dual-Link
- Configurable output clock delay referring to data stream
- Compatible with IEEE – LVDS Standard
- LVTTTL Combo I/O
- SMIC 0.18µm Logic 1P6M 1.8V/3.3V CMOS Process



AUSTRALIA:

Brisbane Technology Park
Cnr Logan & Miles Platting Roads
Eight Mile Plains QLD 4113
Tel: +61 7 3364 0656
Http:www.nanosi.com

CHINA:

Room 407 National IC Design Park
NO.21-1 Changjiang Road
Wuxi, Jiangsu, China
Tel: +886 510 85259325
Http:www.nanosi.com